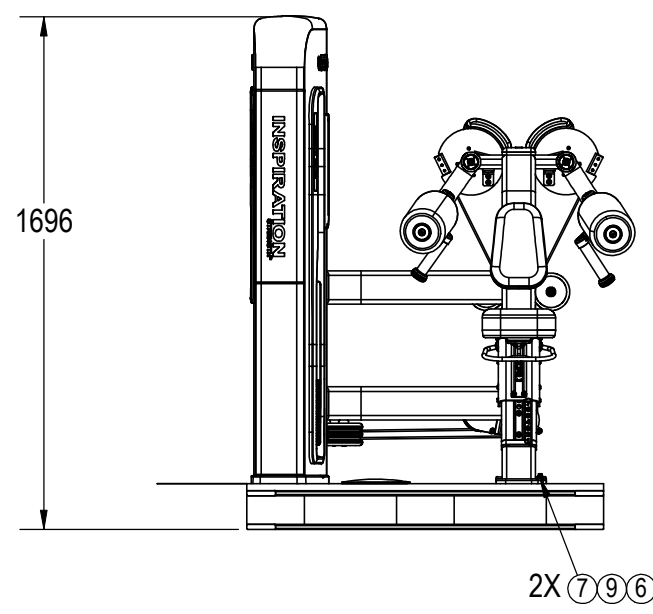
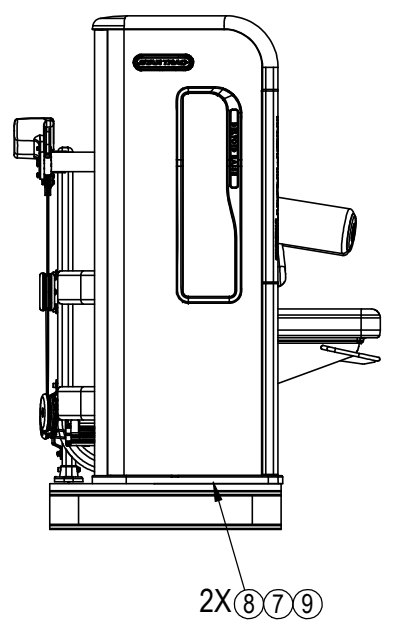
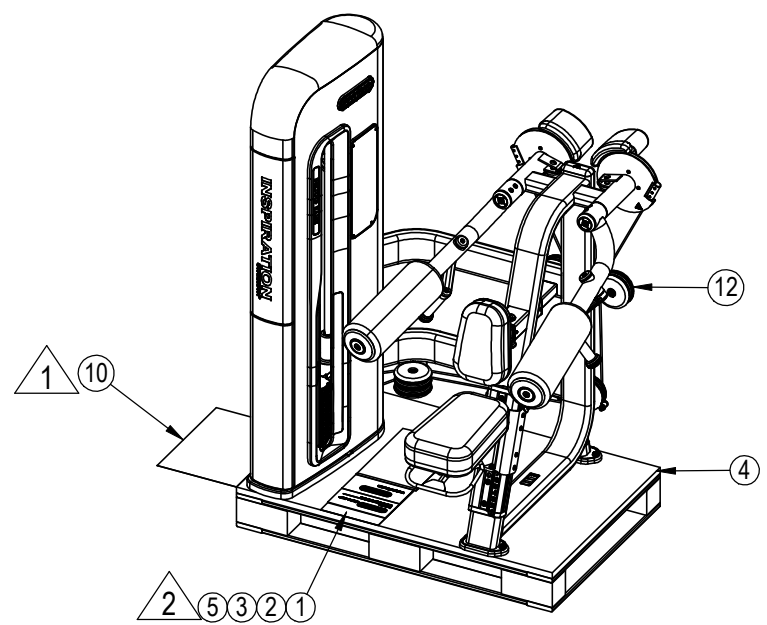
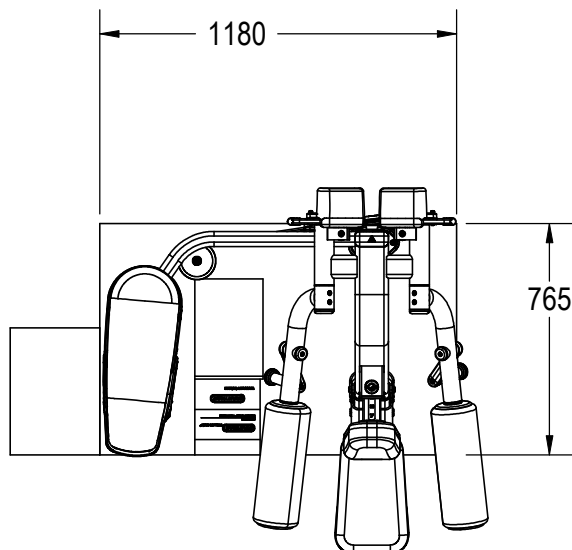


REVISION HISTORY				
REV	DATE	DESCRIPTION	ECO	BY
A	05-19-10	RELEASE FOR PRODUCTION	13288	AE

- NOTES:
- PLACE SHIPPING LABELS (ITEM 10) ON PACKAGED UNIT BEFORE SHRINK WRAPPING, PLACE "LIFT THIS SIDE" STICKER ON WEIGHT STACK END.
 - PLACE ITEMS 1, 2, AND 3 INSIDE ITEM 5.
 - USE ITEMS 6, 7, 8, AND 9 TO SECURE ITEM 12 TO PALLET (ITEM 4), PLACE ITEM 7 AGAINST POWDERCOAT OF ITEM 12.
 - ITEM 12 NOT SHOWN IN PACKAGED CONFIGURATION.



ITEM NO.	PART NUMBER	DESCRIPTION	QTY.
1	620-7935	MANUAL, INSTALL, DELTOID RAISE, IP-S4306	1
2	620-7942	MANUAL, OWNERS, IP	1
3	620-7943	CARD,REG,WARRANTY, IP	1
4	731-0178	PALLET,765 x 1180 x 152	1
5	731-0246	BAG,225mm X 332mm	1
6	731-0256	SCREW,M6,25mm,W,HE,ZP	2
7	731-0294	WASHER,M8,NYLON	4
8	731-0354	SCREW,M8 X 1.25,25MM,HHM,HE	2
9	731-0355	WASHER,PLAIN,M8,NARROW	4
10	731-0895	STICKERS,PACKAGE,DELTOID RAISE	1
11	731-1667	PACKING KIT, DELTOID RAISE	1
12	IP-S4306-XXXXS	ASSY, DELTOID RAISE	1

NOTICE OF PROPRIETARY INFORMATION
 THIS DOCUMENT SHALL NOT BE REPRODUCED NOR SHALL THE INFORMATION CONTAINED HEREIN BE USED BY OR DISCLOSED TO OTHER EXCEPT AS EXPRESSLY AUTHORIZED BY UNISEN INC, D.B.A. STAR TRAC.

**DOCUMENT STATUS:
 RELEASE**

CLASS OF WORK	UNLESS OTHERWISE SPECIFIED DIMS ARE IN mm. TOLERANCES FOR MEASURE OF LENGTH ARE:							ANGLES = ±2°	MATERIAL SEE BOM
	0.5 to 3	>3 to 6	>6 to 30	>30 to 120	>120 to 400	>400 to 1000	>1000 to 2000		
FINE	±0.05	±0.05	±0.1	±0.15	±0.2	±0.3	±0.5	----	FINISH N/A
MEDIUM	±0.1	±0.1	±0.2	±0.3	±0.5	±0.8	±1.2	±2	
COARSE	±0.2	±0.3	±0.5	±0.8	±1.2	±2	±3	±4	
VERY COARSE	----	±0.5	±1	±1.5	±2.5	±4	±6	±8	

VENDOR: **N/A** P/N: **N/A**

THIRD ANGLE PROJECTION		
DRAWN	INITIAL AE	DATE 05/11/10
CHECKED		
APPROVED		

UNISEN, INC. DBA

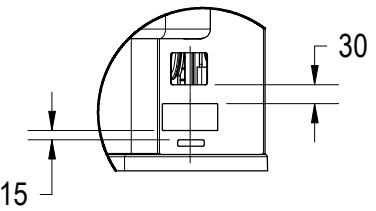
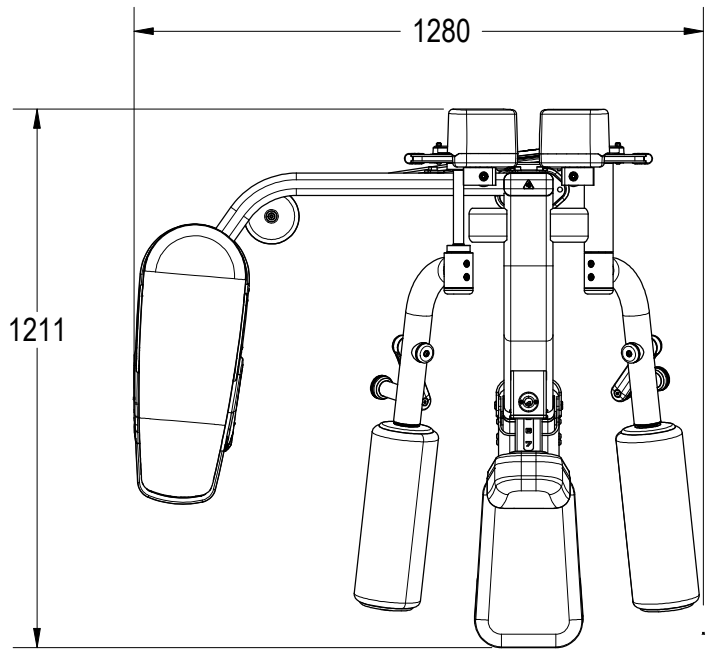
 14410 Myford Road
 Irvine CA 92606

STARTRAC PART NO
9IP-S4306-XXXXS REV **A**

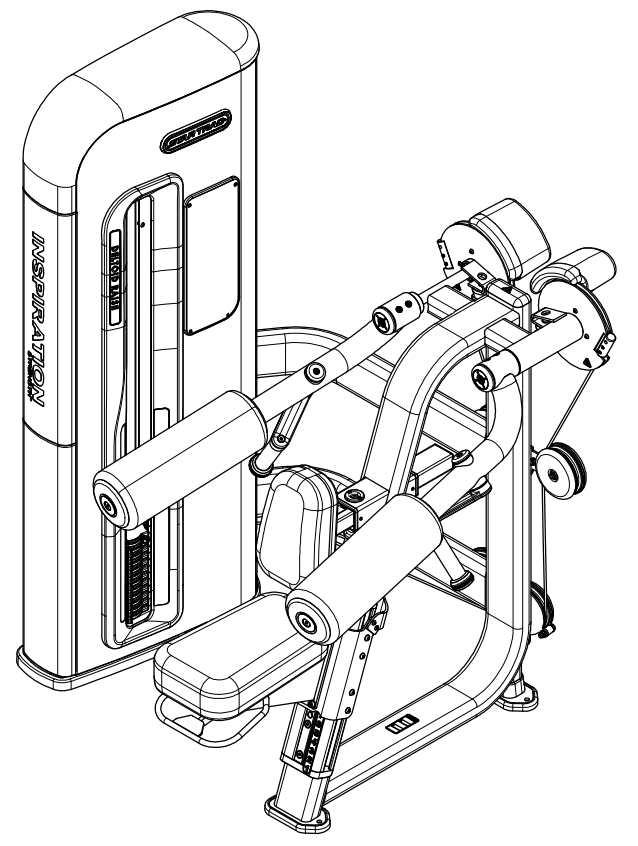
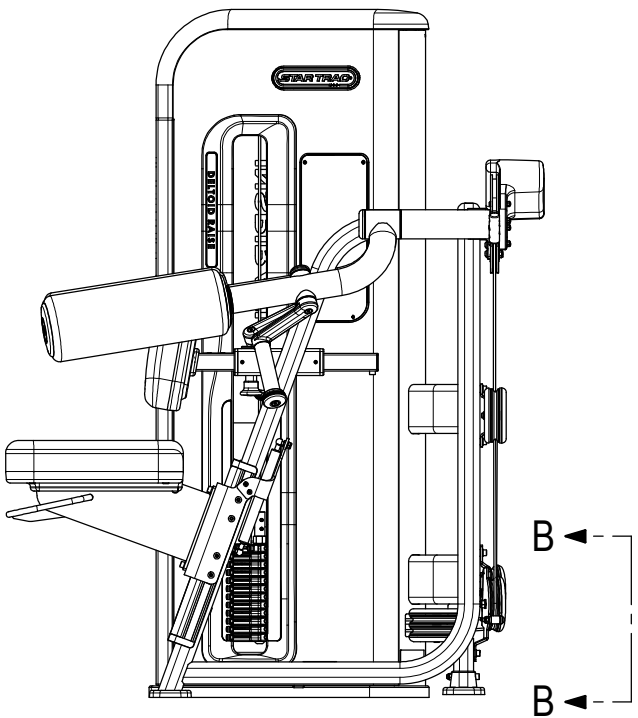
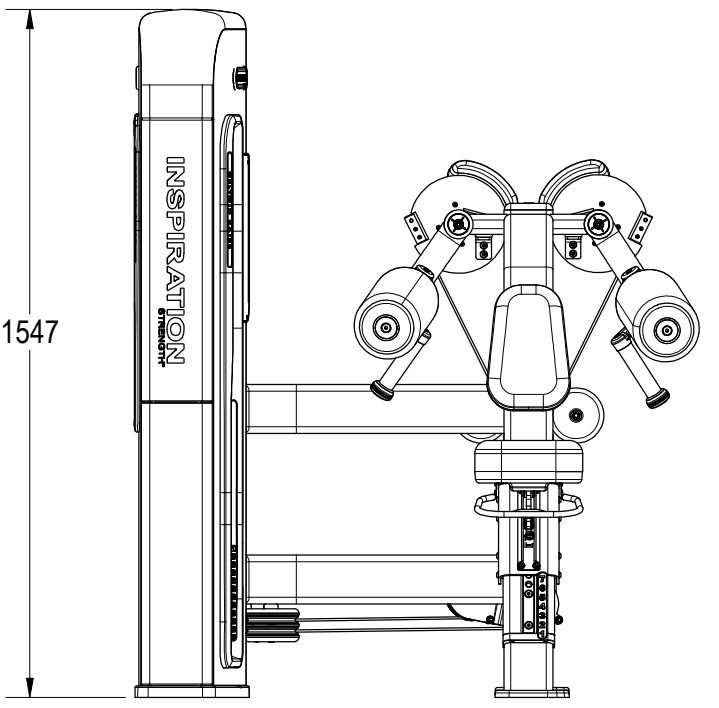
TITLE
IP,SSS,DELTOID RAISE

SCALE: 1:25 | SHEET 1 OF 1 | SHEET SIZE: B

REVISION HISTORY				
REV	DATE	DESCRIPTION	ECO	BY
A	06-17-09	RELEASE FOR PRODUCTION	12193	DMM
B	10-07-09	UPDATES THRU PILOT BUILD -- SEE ECO DOC FOR DETAILS	12270	DMM
C	12-02-09	ADDED ITEM 731-0660; ADD C'BORE TO 731-1075 AND SWITCHED TO SHCS	12328	DMM
D	05-19-10	ADDED NOTES 1 & 2, ADDED 731-0509	13269	TD



DETAIL B
SCALE 1 : 12



NOTICE OF PROPRIETARY INFORMATION
THIS DOCUMENT SHALL NOT BE REPRODUCED NOR SHALL THE INFORMATION CONTAINED HEREIN BE USED BY OR DISCLOSED TO OTHER EXCEPT AS EXPRESSLY AUTHORIZED BY UNISEN INC, D.B.A. STAR TRAC.

**DOCUMENT STATUS:
RELEASE**

- NOTES:
- ASSEMBLE AND INSPECT TO SOP 620-7918. D
 - INSTALL Kg STICKER AND AFFIX Lb STICKER TO INSIDE OF SHROUD WITH TAPE. D

CLASS OF WORK	UNLESS OTHERWISE SPECIFIED DIMS ARE IN mm. TOLERANCES FOR MEASURE OF LENGTH ARE:							ANGLES = ±2°
	0.5 to 3	> 3 to 6	> 6 to 30	> 30 to 120	> 120 to 400	> 400 to 1000	> 1000 to 2000	
FINE	±0.05	±0.05	±0.1	±0.15	±0.2	±0.3	±0.5	----
MEDIUM X	±0.1	±0.1	±0.2	±0.3	±0.5	±0.8	±1.2	±2
COARSE	±0.2	±0.3	±0.5	±0.8	±1.2	±2	±3	±4
VERY COARSE	----	±0.5	±1	±1.5	±2.5	±4	±6	±8

MATERIAL
SEE BOM ON SHEET 2

FINISH
N/A

VENDOR: **N/A** P/N: **N/A**


THIRD ANGLE PROJECTION		
DRAWN	INITIAL DMM	DATE 06/09/09
CHECKED		
APPROVED		
	U.O.M.	MM

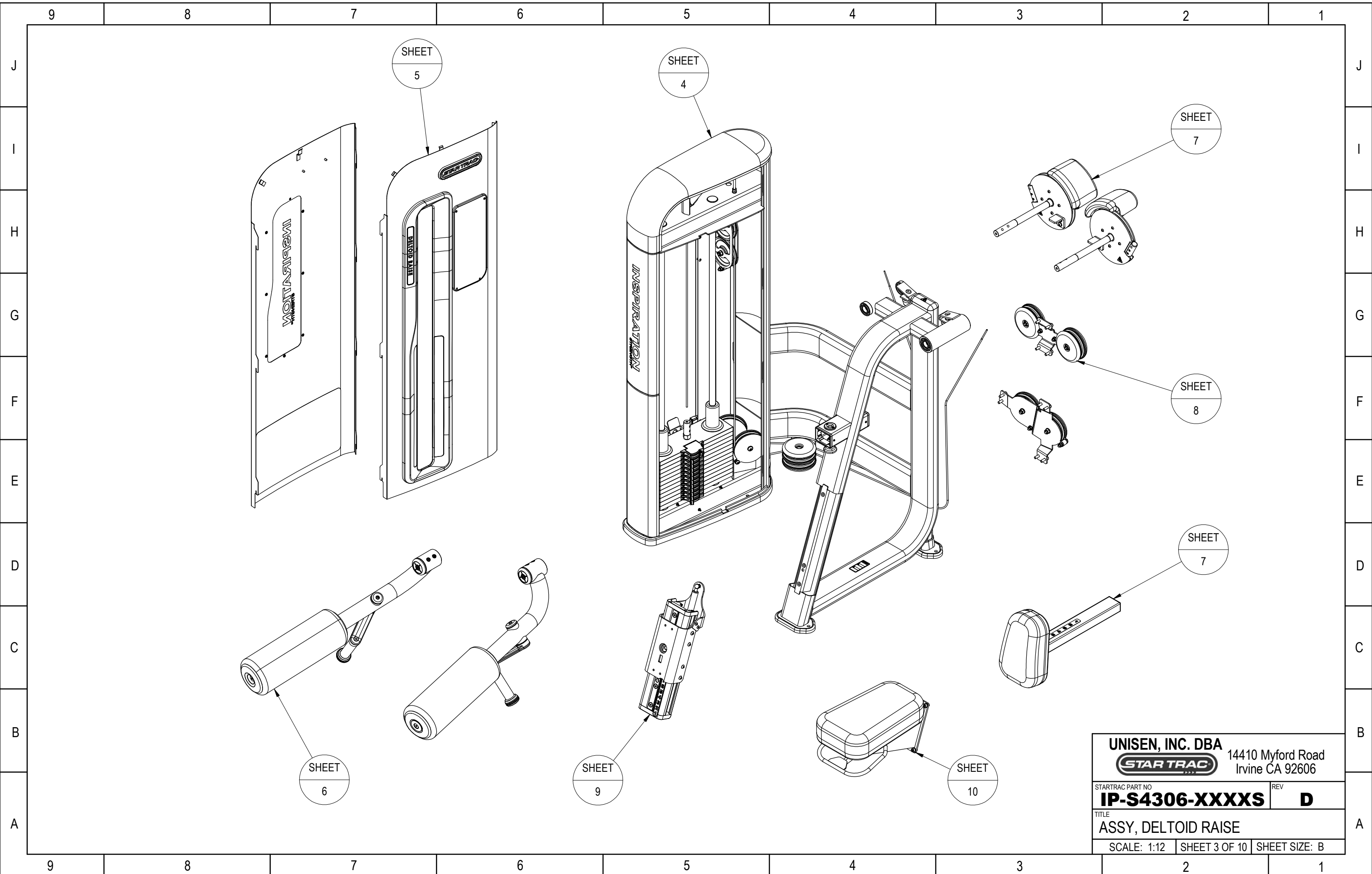
UNISEN, INC. DBA
STAR TRAC
14410 Myford Road
Irvine CA 92606

STARTRAC PART NO
IP-S4306-XXXXS REV **D**

TITLE
ASSY, DELTOID RAISE

SCALE: 1:17 SHEET 1 OF 10 SHEET SIZE: B

9		8		7		6		5		4		3		2		1	
J	ITEM NO.	PART NO.	DESCRIPTION	731	ITEM NO.	PART NO.	DESCRIPTION	731	ITEM NO.	PART NO.	DESCRIPTION	731	J				
J	1	731-0001	WASHER, 20mm X 7mm X 1mm	2	45	731-0389	SCREW,M8 X 1.25,35mm,BHC,HK	4	89	731-0637	RING,BEAUTY,ADJ,PAD	1	J				
	2	731-0003	PIN, DOWEL, 5 X 20	2	46	731-0390	SCREW,M8 X 1.25,25mm,SHC,HK	12	90	731-0638	SUPPORT,TUBE,ADJ,CHEST	2	I				
	3	731-0021	SHOE,75X147.7	2	47	731-0397	SCREW,M8 X 1.25,25mm,FHM,HK	3	91	731-0642-00XX	ASSY, CHEST PAD, ROW	1					
I	4	731-0033	NUT, RIVET,M8 X 1.25	18	48	731-0398	SCREW,M8 X 1.25,70mm,BHC,HK	1	92	731-0643	PLUG, TUBE, 60MM X 40MM	1	I				
	5	731-0040	STOP,Ø50X26,RUBBER	2	49	731-0421	SCREW, M8 X 1.25, 30MM, SHC, HK, CS	8	93	731-0646	STICKER, 1-7, 210MM X 14MM	1					
	6	731-0079	SHROUD, INSIDE, SHORT	1	50	731-0432	ASSY, WGT STK, 60Kg	1	94	731-0652	ASSY,PULL PIN,ADJ,RED	1					
H	7	731-0080	SHROUD, OUTSIDE, SHORT	1	51	731-0462	PLACARD, DELT RAISE	1	95	731-0660	STICKER,AXIS/ROTATION,END CAP	2	H				
	8	731-0113	ASSY,2.5Kg,ADD ON	1	52	731-0480	STICKER,LENTICULAR,DELT RAISE	1	96	731-0731	ASSY,PULLEY,Ø120MM,CABLE	8					
	9	731-0118	GUIDE RODE,Ø22MM X 1240MM	2	53	731-0498	STICKER, NAME, DELTOID RAISE	2	97	731-0804-XX	ASSY, SHROUD, INSIDE	1					
G	10	731-0121	ASSY,STOP,ADD ON	1	54	731-0504	STICKER, WGT, 5, 60Kg	1	98	731-0805-XX	ASSY, SHROUD, OUTER	1	G				
	11	731-0124	CAP,GUIDE ROD,RUBBER	2	55	731-0509	STICKER,SWITCH,INC ADJ	1	99	731-0811-XX	PLATE, COVER, PULLEY, CUT	1					
	12	731-0127	RACE,WEAR SLEEVE,CABLE	8	56	731-0510	STICKER,SEAT ADJ,1-9	1	100	731-0828	ASSY,WINDOW,OUTSIDE	1					
F	13	731-0131	BLOCK,PULLEY,Ø120mm	1	57	731-0512	STICKER,WARNING,PINCH	5	101	731-0867	SHROUD, SEAT BOTTOM, VERT. ROW	1	F				
	14	731-0137	BEARING,52 OD,25 ID,X 15MM	4	58	731-0513	STICKER,STAR TRAC,DECO,45MMX191MM	2	102	731-0869	SCREW,M6 X1.0, 25mm, BHS,HK	2					
	15	731-0138	CABLE,WGT STK,1800mm	1	59	731-0517	STICKER, WARNING, BOLT DOWN	1	103	731-0870	SHROUD, CHEST PAD, ROW	1					
E	16	731-0144	WELD,ADD ON,SHORT	2	60	731-0530	SPRING,SEAT ADJ,SEAT 1	1	104	731-0922	NUT, M8X1.25, JAM	2	E				
	17	731-0146-XX	PLATE,COVER,PULLEY,Ø120mm	7	61	731-0532	SCREW,M8 X 1.25,12MM,HHM,HE	2	105	731-0972	CAP,FASTENER,THIGH PAD	2					
	18	731-0147	SHOE,WGT STK,SHORT	1	62	731-0542	ASSY,BUMPER,TOP	1	106	731-0973	CAP, THIGH PAD, THRU	2					
D	19	731-0165	CAP,PLASTIC,PULLEY,Ø120mm	8	63	731-0545	ASSY,BUMPER,MIDDLE	1	107	731-0977	ASSY, SEAT RELEASE	1	D				
	20	731-0209	CAP, END, 110 X 50	1	64	731-0547	ASSY,BUMPER,BOTTOM	1	108	731-0979-XX	WELD, MOUNT, SEAT, LPD	1					
	21	731-0225	SCREW,M3.5 X 9.5,SELF TAPPING	6	65	731-0555-XX	WELD,MOUNT,TROLLEY,SEAT	1	109	731-1080-XX	WELD, MAIN FRAME, DELTOID RAISE	1					
C	22	731-0274	ASSY,WGT STK,PULLEY	1	66	731-0557	SPACER,WHEEL,TROLLEY	8	110	731-1246-00XX	ASSY, ARM PAD, DR	2	C				
	23	731-0275	CABLE, WGT STK, 5600mm	1	67	731-0560	ASSY,WHEEL,41M DIA,TROLLEY	8	111	731-1306	WELD, MOUNT, CHEST PAD, 10 DEG	1					
	24	731-0287	NUT,M8x1.25,NYLOCK	1	68	731-0561	WASHER,M8,1MM THK	8	112	731-1308	GUIDE, CHEST PAD, 10 DEG, DELT	1					
B	25	731-0312	CAP, END, 65MM	2	69	731-0562	NUT,M8 X 1.25,NYLOC	10	113	731-1310	WELD, CAM LOAD, RT, DELT	1	B				
	26	731-0323	STICKER, PARTS, DELTOID RAISE	1	70	731-0564	EXTRUSION,TROLLEY,SEAT	1	114	731-1312	PLATE, COVER, CAM, DELT	4					
	27	731-0335	STICKER, MADE IN CHINA, IP	1	71	731-0565	SCREW,M4X22,FHT,PH,AS,ZP	8	115	731-1313-XX	BRACKET, PULLEY MOUNT DELT	1					
A	28	731-0351	SCREW,M10 X 1.5,25mm,FHM,HK	2	72	731-0566	CAP,EXTRUSION,SEAT, TOP	2	116	731-1316	WELD, CAM LOAD, LT, DELT	1	A				
	29	731-0352	SCREW,M6X0.8,10MM,BHC,HK	4	73	731-0567	BAR,ADJ,SEAT	1	117	731-1322	COUNTERWEIGHT, DELT RAISE	2					
	30	731-0354	SCREW,M8 X 1.25,25MM,HHM,HE	4	74	731-0570	SCREW,M8 X1.25,16mm,SHC,HK	9	118	731-1332-XX	BRACKET, DUAL PULLEY, DELT RAISE	1					
J	31	731-0355	WASHER,PLAIN,M8,NARROW	52	75	731-0574-XX	MOUNT,SHOCK,SEAT	1	119	731-1349	ASSY, GRIP HANDLE, DELT	2	J				
	32	731-0362	SCREW,M10 X 1.5,45MM,BHC,HK	2	76	731-0576	WELD,FOOT,ADJUSTABLE	1	120	731-1355	BEARING, ROLLER, SEALED, 6202_2R	4					
	33	731-0363	NUT,M10X1.5,NYLOC	6	77	731-0577	ASSY,SHOCK,SEAT SLED,30LBS	1	121	731-1357	CAP, BEARING 1 3/4 RND	2					
I	34	731-0364	SCREW,M8 X 1.25,45MM,BHC,HK	6	78	731-0578	COVER,FOOT,ADJ.	1	122	731-1359-XX	WELD, ARM PAD, DELT RAISE	2	I				
	35	731-0365	NUT,M8 X 1.25,NYLOC JAM	17	79	731-0579	SCREW,M8 X1.25,60mm,SHC,HK	2	123	731-1361	WASHER, 32 X 26 X 1.5	4					
	36	731-0366	SCREW,M10 X 1.5,50MM,BHC,HK	4	80	731-0580	WASHER, HAT, M8	4	124	731-1362	SCREW,M6X1.0,45MM,BHC,HK	8					
H	37	731-0367	WASHER,PLAIN,M10	10	81	731-0582	SETSCREW, M8 X 1.25, 10mm, CUP	8	125	731-1363	NUT, M6X1.0, NYLOC	8	H				
	38	731-0368	SCREW,M8 X 1.25,40mm,BHC,HK	10	82	731-0583	STICKER, SERIAL NUMBER, IP	1	126	731-1429	STOP,ROM,DELT	2					
	39	731-0370	SCREW,M8 X 1.25,65mm,BHC,HK	1	83	731-0584	SCREW,#8-18,3/8",PHT,PH	18	UNISEN, INC. DBA  14410 Myford Road Irvine CA 92606 <small>STARTRAC PART NO</small> IP-S4306-XXXXS <small>REV</small> D <small>TITLE</small> ASSY, DELTOID RAISE <small>SCALE: 1:25</small> <small>SHEET 2 OF 10</small> <small>SHEET SIZE: B</small>								
40	731-0373	WASHER,PLAIN,M6	2	84	731-0585	WASHER,M4	22										
41	731-0379	SCREW,M8 X1.25,20mm,SHC,HK	2	85	731-0586	SCREW,M4 X 0.7,14MM,BHC,HK	4										
G	42	731-0381	HOUSING,LOGO,STARTRAC	2	86	731-0587	NUT,M4 X 0.7,LOCKING	4	<small>SCALE: 1:25</small> <small>SHEET 2 OF 10</small> <small>SHEET SIZE: B</small>								
	43	731-0386	PLACARD, HOUSING, INNER	1	87	731-0588	RETAINING RING,EXT.,1/4" SHAFT	4									
	44	731-0387	PLACARD, HOUSING, OUTER	1	88	731-0635-00XX	ASSY, SEAT BOTTOM, ROW	1									

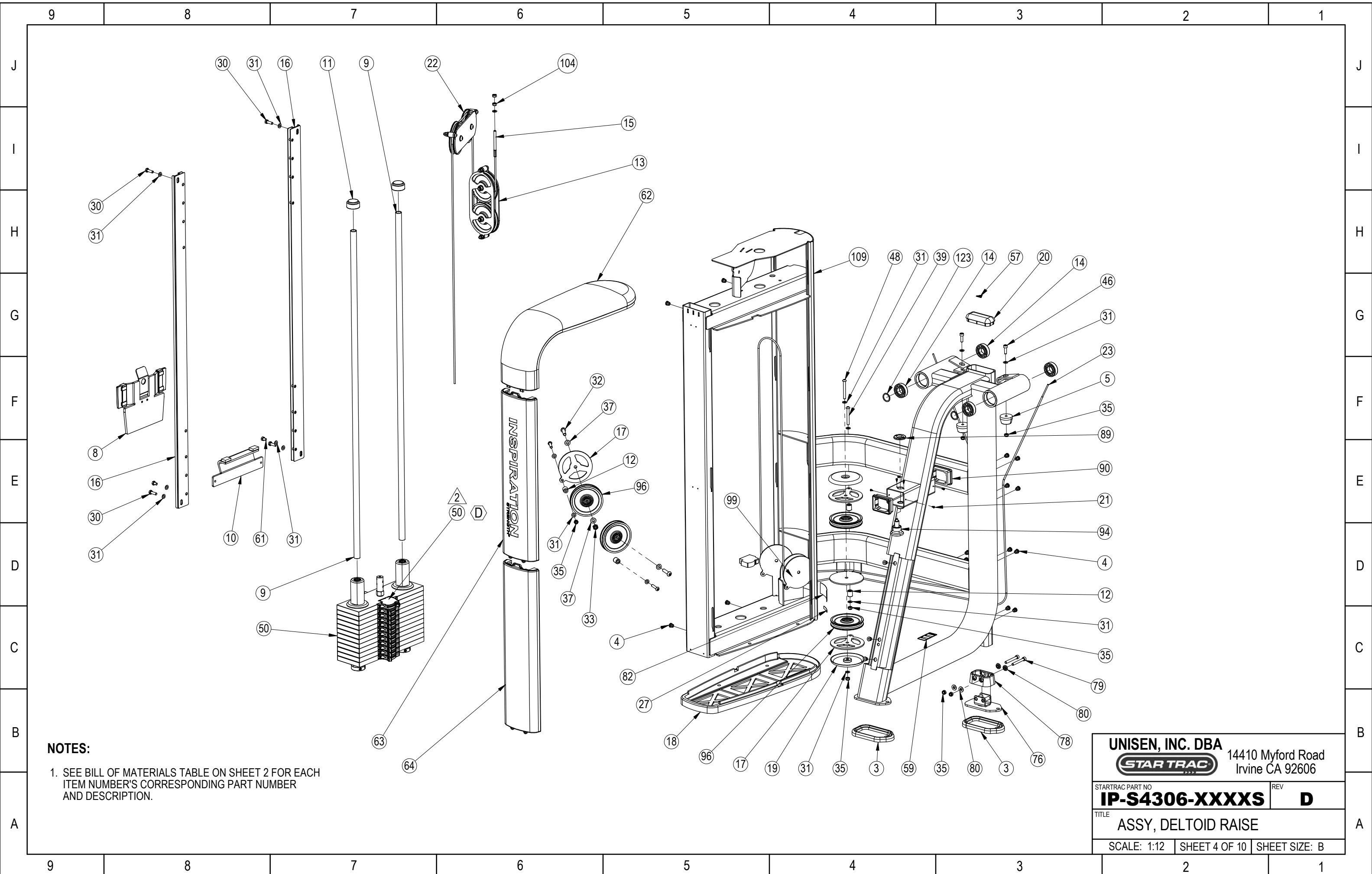


UNISEN, INC. DBA
STAR TRAC 14410 Myford Road
 Irvine CA 92606

STARTRAC PART NO. **IP-S4306-XXXXS** REV **D**

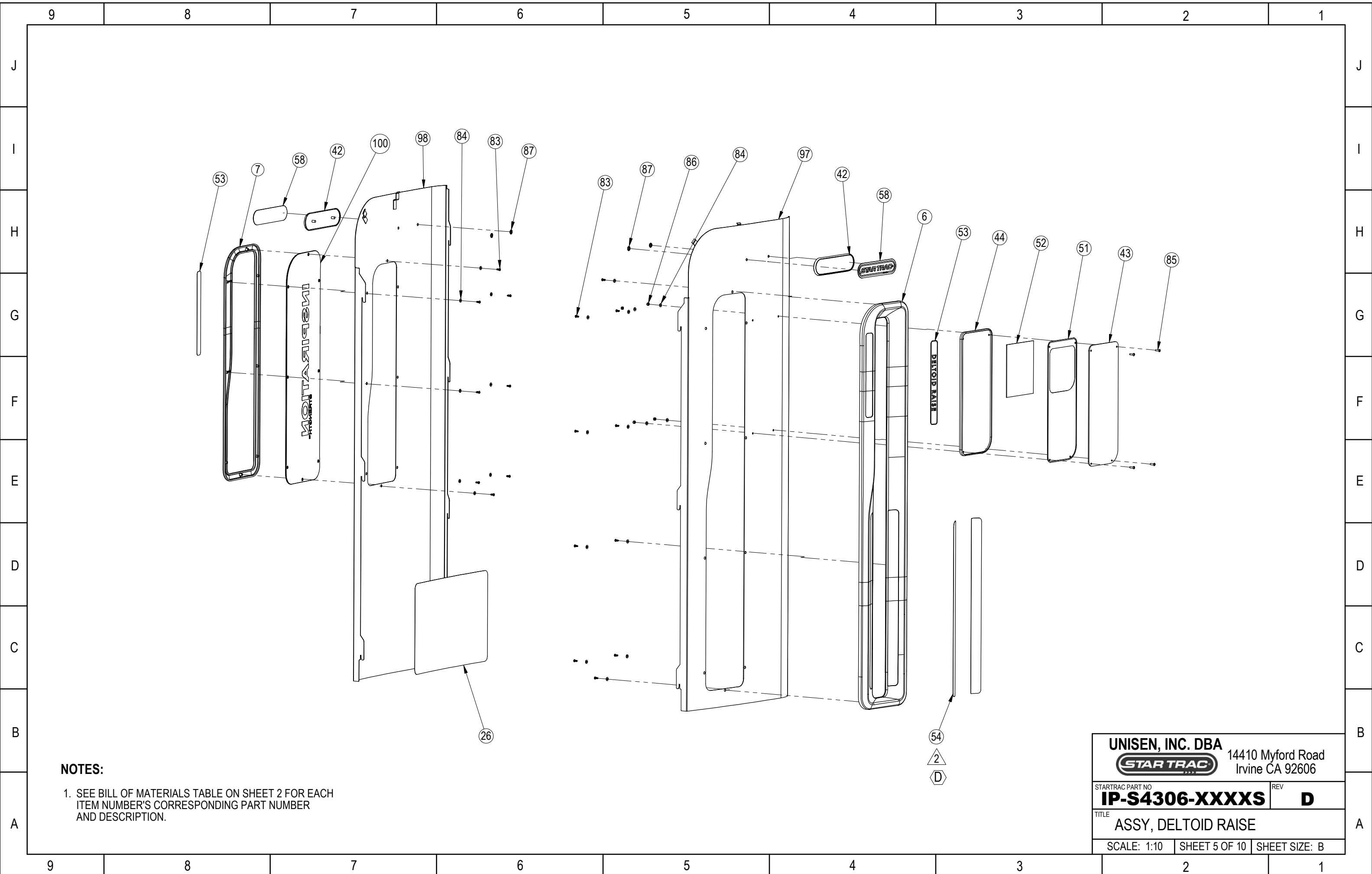
TITLE
ASSY, DELTOID RAISE

SCALE: 1:12 SHEET 3 OF 10 SHEET SIZE: B



NOTES:
 1. SEE BILL OF MATERIALS TABLE ON SHEET 2 FOR EACH ITEM NUMBER'S CORRESPONDING PART NUMBER AND DESCRIPTION.

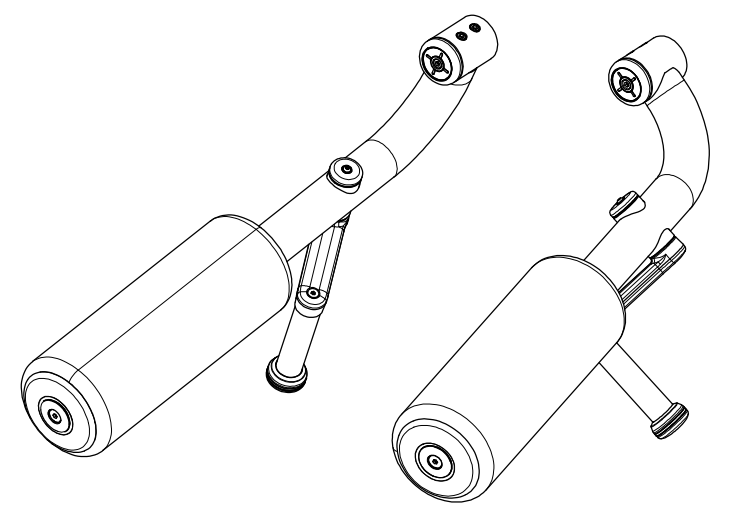
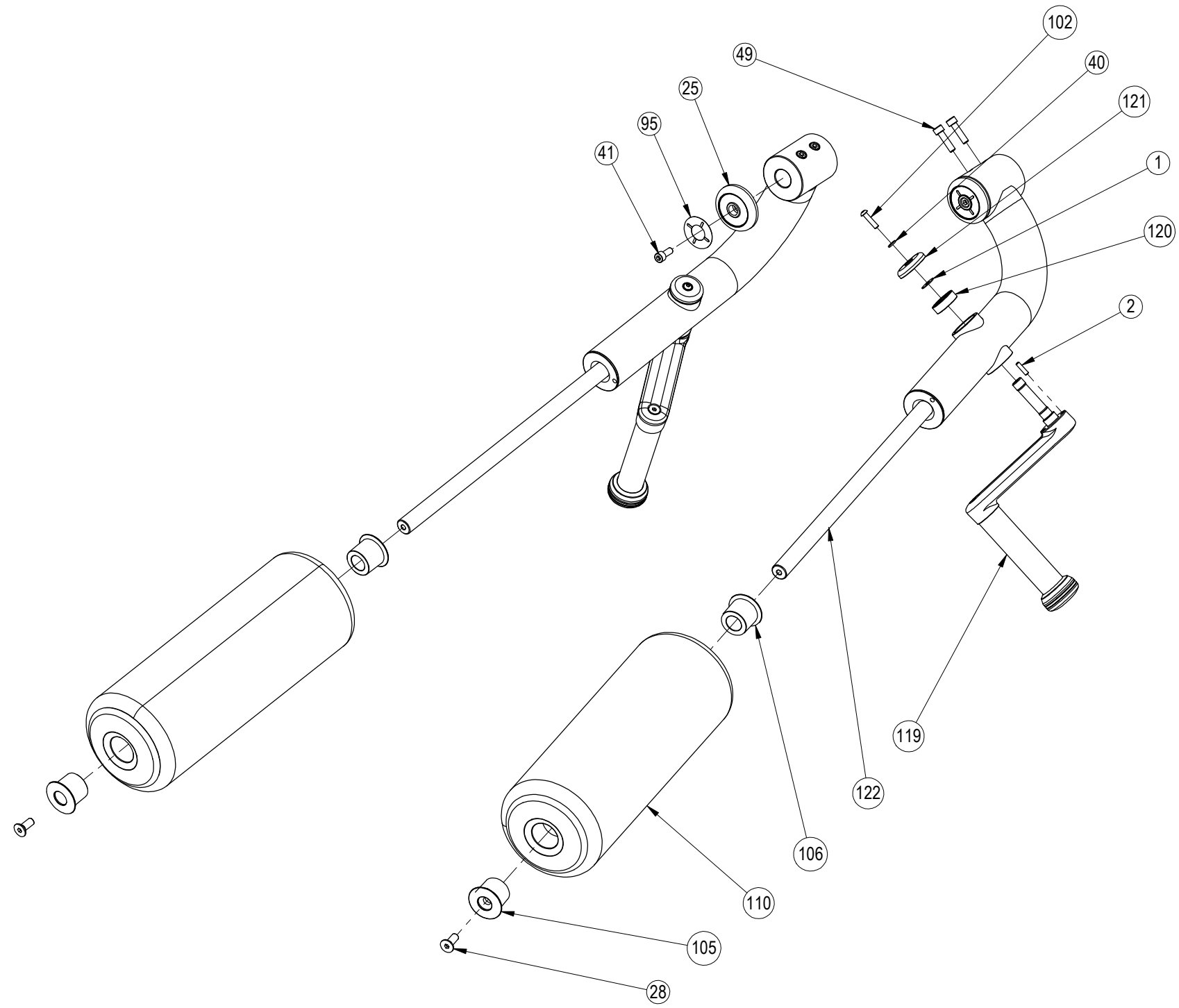
UNISEN, INC. DBA 		14410 Myford Road Irvine CA 92606	
STARTRAC PART NO	IP-S4306-XXXXS		REV D
TITLE ASSY, DELTOID RAISE			
SCALE: 1:12	SHEET 4 OF 10	SHEET SIZE: B	



NOTES:
 1. SEE BILL OF MATERIALS TABLE ON SHEET 2 FOR EACH ITEM NUMBER'S CORRESPONDING PART NUMBER AND DESCRIPTION.

UNISEN, INC. DBA		14410 Myford Road Irvine CA 92606	
STARTRAC PART NO	IP-S4306-XXXXS		REV D
TITLE ASSY, DELTOID RAISE			
SCALE: 1:10	SHEET 5 OF 10	SHEET SIZE: B	

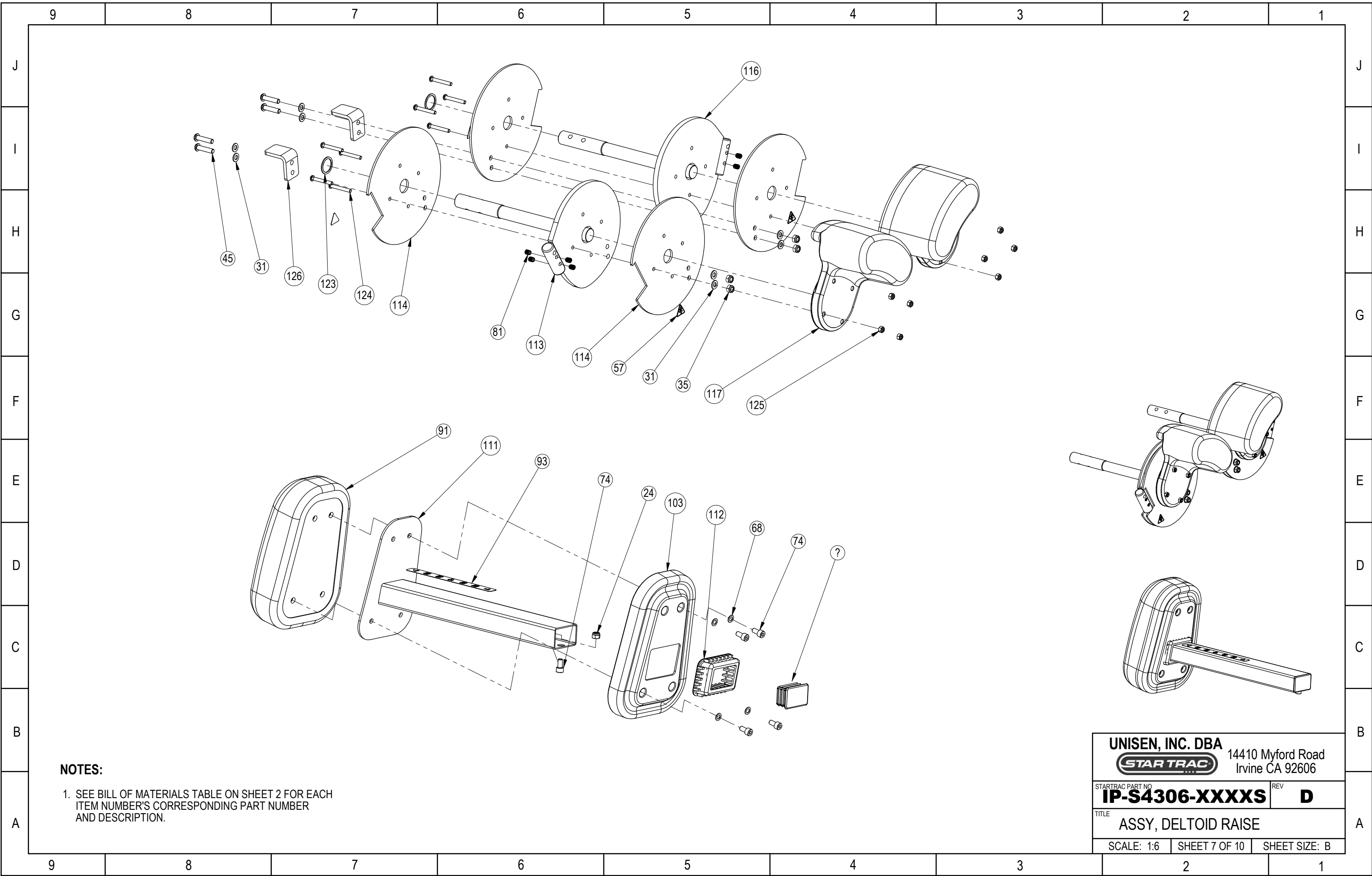
54
 2
 D



NOTES:

1. SEE BILL OF MATERIALS TABLE ON SHEET 2 FOR EACH ITEM NUMBER'S CORRESPONDING PART NUMBER AND DESCRIPTION.

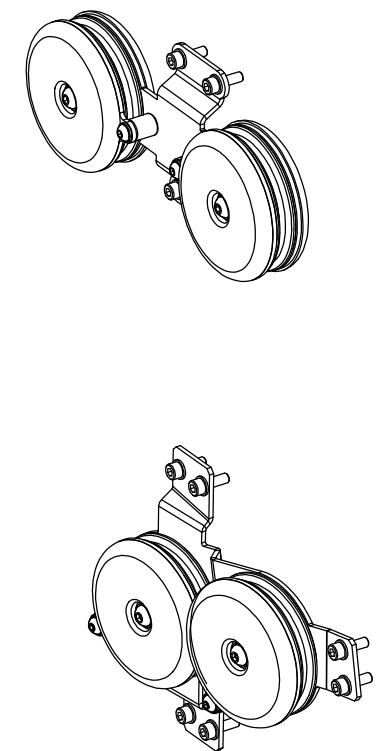
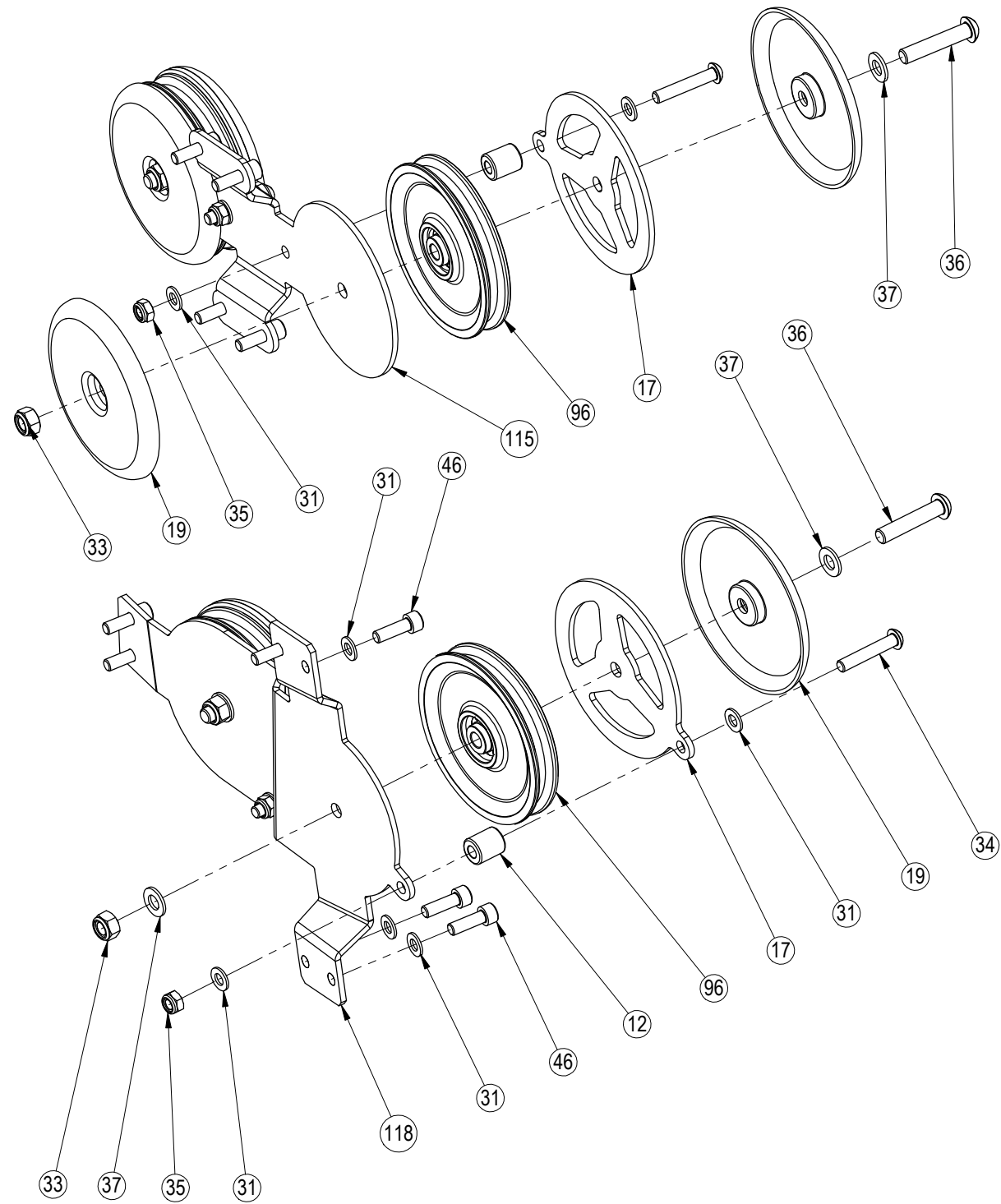
UNISEN, INC. DBA		14410 Myford Road Irvine CA 92606	
STAR TRAC			
STARTRAC PART NO	IP-S4306-XXXXS		REV D
TITLE	ASSY, DELTOID RAISE		
SCALE: 1:6	SHEET 6 OF 10	SHEET SIZE: B	



NOTES:

1. SEE BILL OF MATERIALS TABLE ON SHEET 2 FOR EACH ITEM NUMBER'S CORRESPONDING PART NUMBER AND DESCRIPTION.

UNISEN, INC. DBA 		14410 Myford Road Irvine CA 92606	
<small>STARTRAC PART NO</small> IP-S4306-XXXXS		<small>REV</small> D	
<small>TITLE</small> ASSY, DELTOID RAISE			
<small>SCALE: 1:6</small>	<small>SHEET 7 OF 10</small>	<small>SHEET SIZE: B</small>	



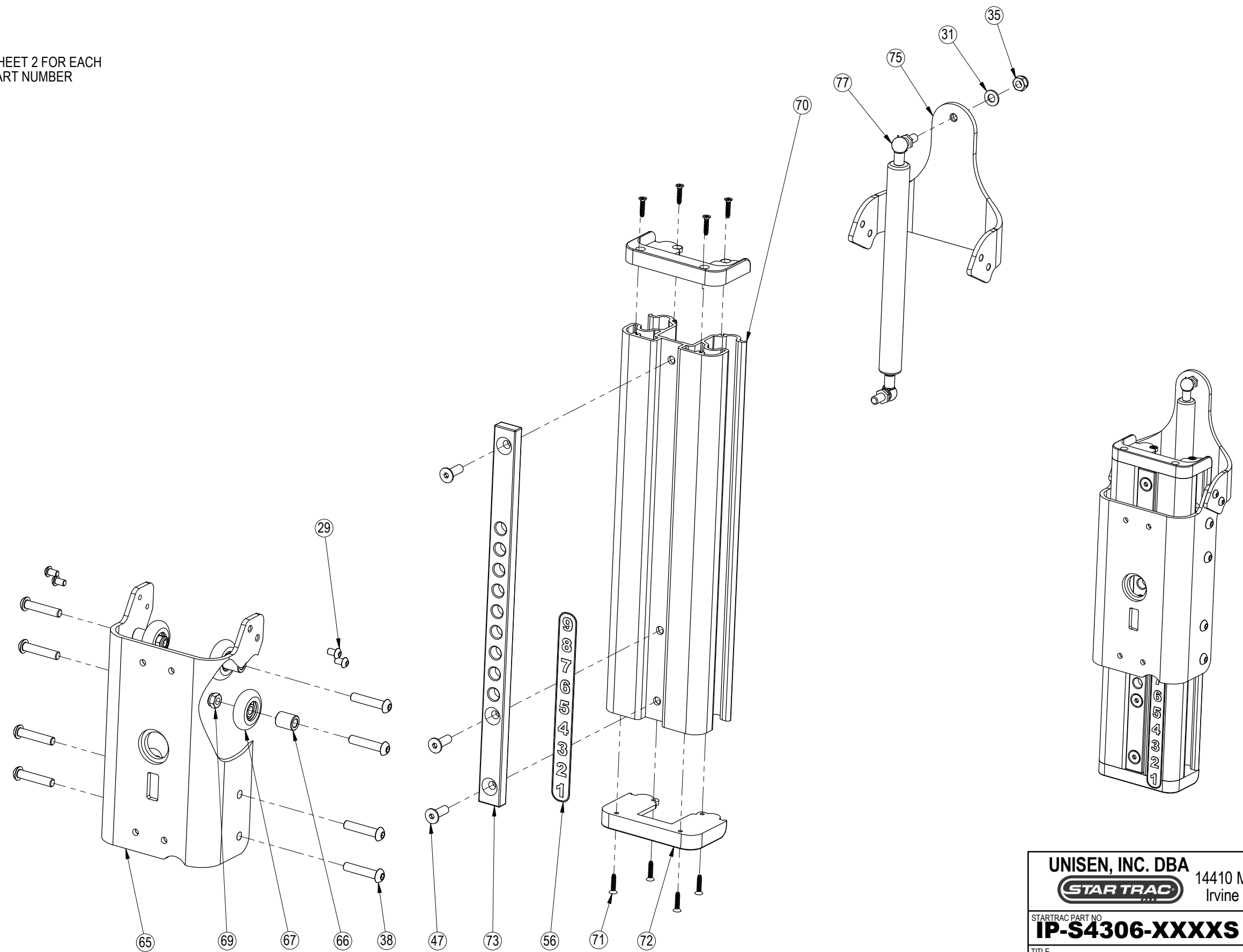
NOTES:

1. SEE BILL OF MATERIALS TABLE ON SHEET 2 FOR EACH ITEM NUMBER'S CORRESPONDING PART NUMBER AND DESCRIPTION.

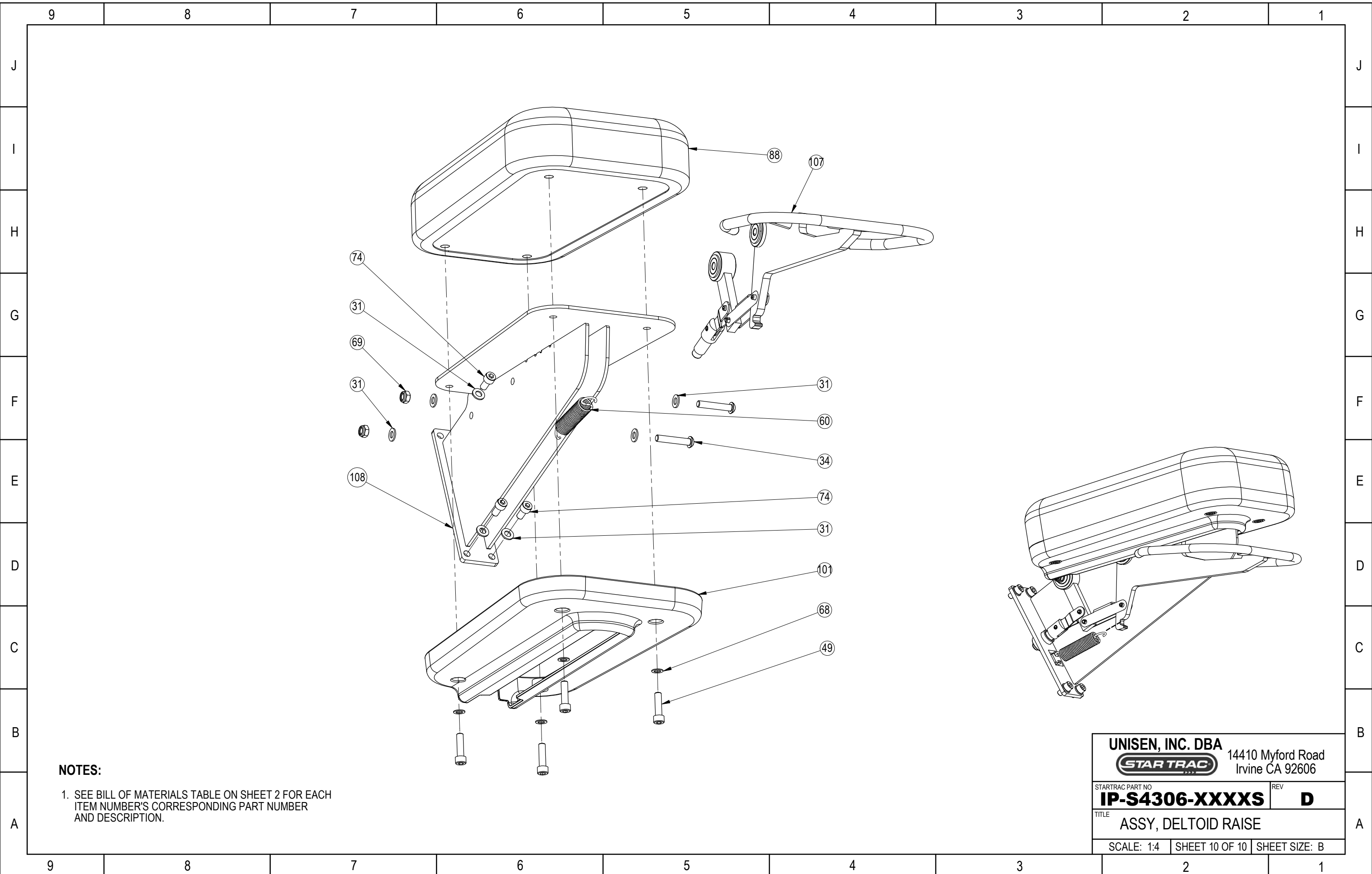
UNISEN, INC. DBA 		14410 Myford Road Irvine CA 92606	
<small>STARTRAC PART NO</small> IP-S4306-XXXXS		<small>REV</small> D	
<small>TITLE</small> ASSY, DELTOID RAISE			
<small>SCALE: 1:4</small>	<small>SHEET 8 OF 10</small>	<small>SHEET SIZE: B</small>	

NOTES:

1. SEE BILL OF MATERIALS TABLE ON SHEET 2 FOR EACH ITEM NUMBER'S CORRESPONDING PART NUMBER AND DESCRIPTION.



UNISEN, INC. DBA		14410 Myford Road	
STARTRAC		Irvine CA 92606	
STARTRAC PART NO	IP-S4306-XXXXS	REV	D
TITLE ASSY, DELTOID RAISE			
SCALE: 1:4	SHEET 9 OF 10	SHEET SIZE: B	



NOTES:

1. SEE BILL OF MATERIALS TABLE ON SHEET 2 FOR EACH ITEM NUMBER'S CORRESPONDING PART NUMBER AND DESCRIPTION.

UNISEN, INC. DBA 		14410 Myford Road Irvine CA 92606
STARTRAC PART NO IP-S4306-XXXXS	REV D	
TITLE ASSY, DELTOID RAISE		
SCALE: 1:4	SHEET 10 OF 10	SHEET SIZE: B